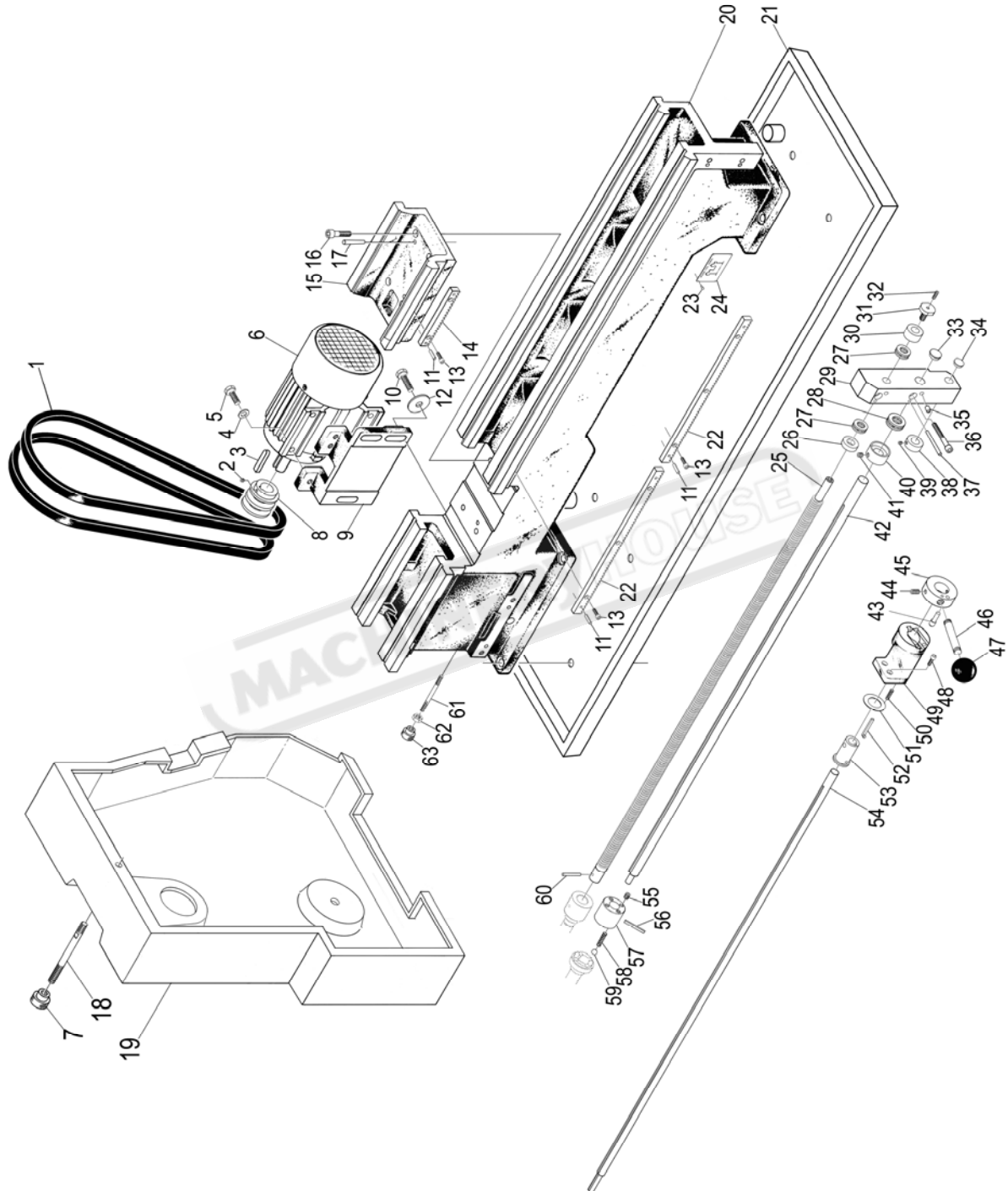
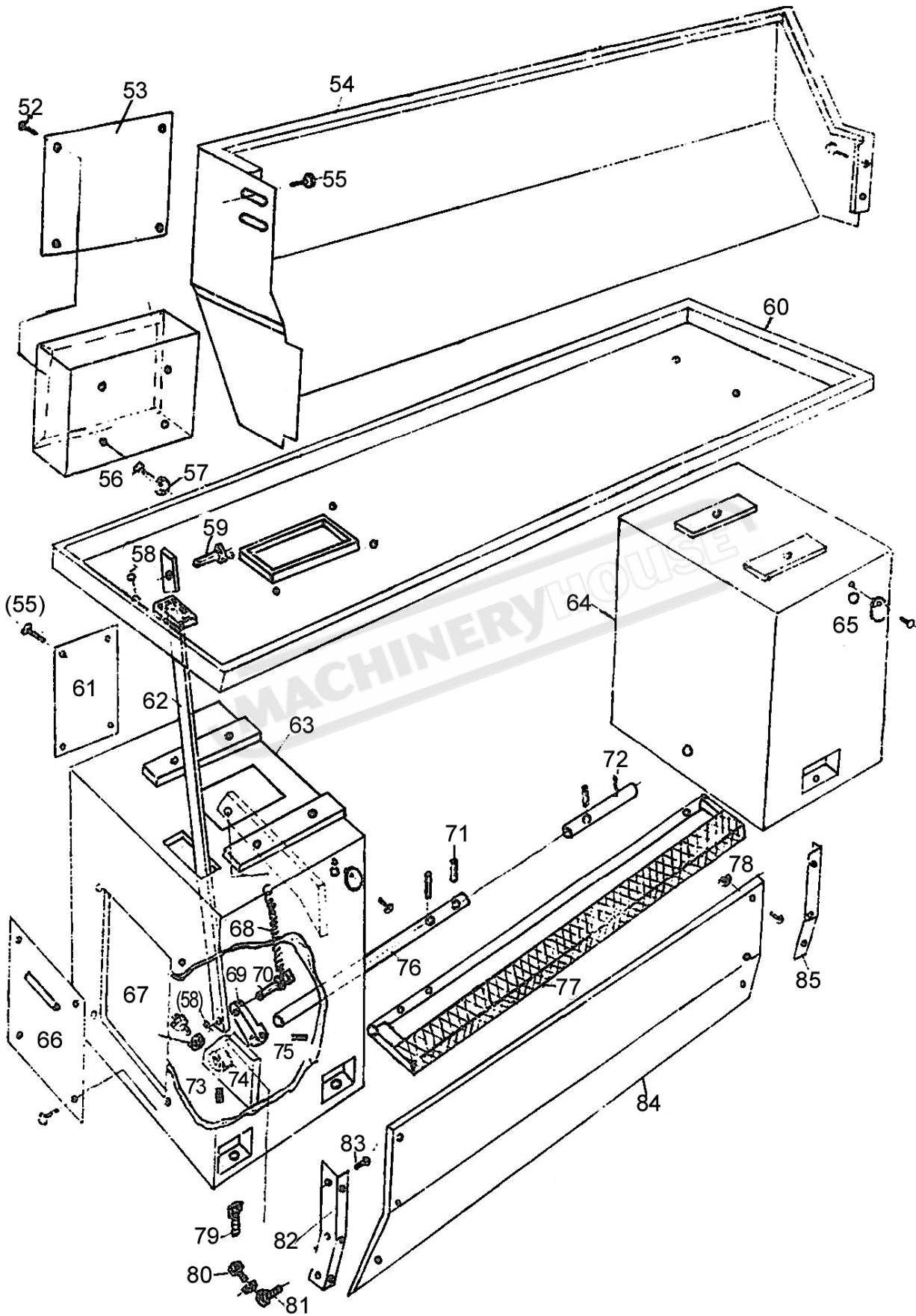


Operation Manual

11.Bed Assembly (1/2)



11.Bed Assembly (2/2)



Operation Manual

No.	Part No.	Name	Specification
1	GB1171-74	Belt	A813
2	GB77-85	Screw	M6×12
3	GB1096-79	Key	
4	GB97.1-86	Washer	8
5	GB5783-86	Bolt	M8×25
6	90S-4	Motor	
7	33-6032	Clamping Knob	
8	32-01107	Pulley	
9	32-01103a	Bracket	
10	GB5783-86	Bolt	M10×30
11	GB117-86	Pin	6×26
12	32-01222	Washer	
13	Gb70-85	Screw	M6×25
14	32-01203	Rack	
15	32-01102	Bridge	
16	GB70-85	Screw	M10×40
17	GB881-86	Taper Pin	8×60
18	33-6030	Position Stud	
19	32C-04513b	Cover (32A)	
19	36C-04513b	Cover (36A)	
20	32C-01101-1	Lathe Bed (1000)	
20	32C-01101-2	Lathe Bed (750)	
21	33-6032	Clamping Knob	
22	32-01204-1	Rack (1000)	
22	32-01204-2	Rack (750)	
23	GB6170-86	Nut	M10
24	33-6031	Position Stud	
25	33-6036B	Lead screw (1000)	
25	32C-6036B-2	Lead screw (750)	
26	33-6037	Sleeve	
27	GB301-85	Bearing	8102
28	GB301-85	Bell Steel	8104
29	33-6035	Bracket	
30	33-6038	Bearing Cover	
31	33-6039	Lock Screw	
32	GB78-85	Socket Head Set Screw	M6×20
33	32-01503	Plug	
34	32-01504	Plug	
35	GB1155-79	Ball Cap	6
36	GB70-85	Socket Head Cap Screw	M8×60
37	GB117-86	Taper Pin	5×60
38	33-6053	Sleeve	
39	GB77-85	Socket Head Set Screw	M6×8
40	CL6132-01-16	Bearing Cover	
41	GB77-85	Socket Head Set Screw	M8×10

Operation Manual

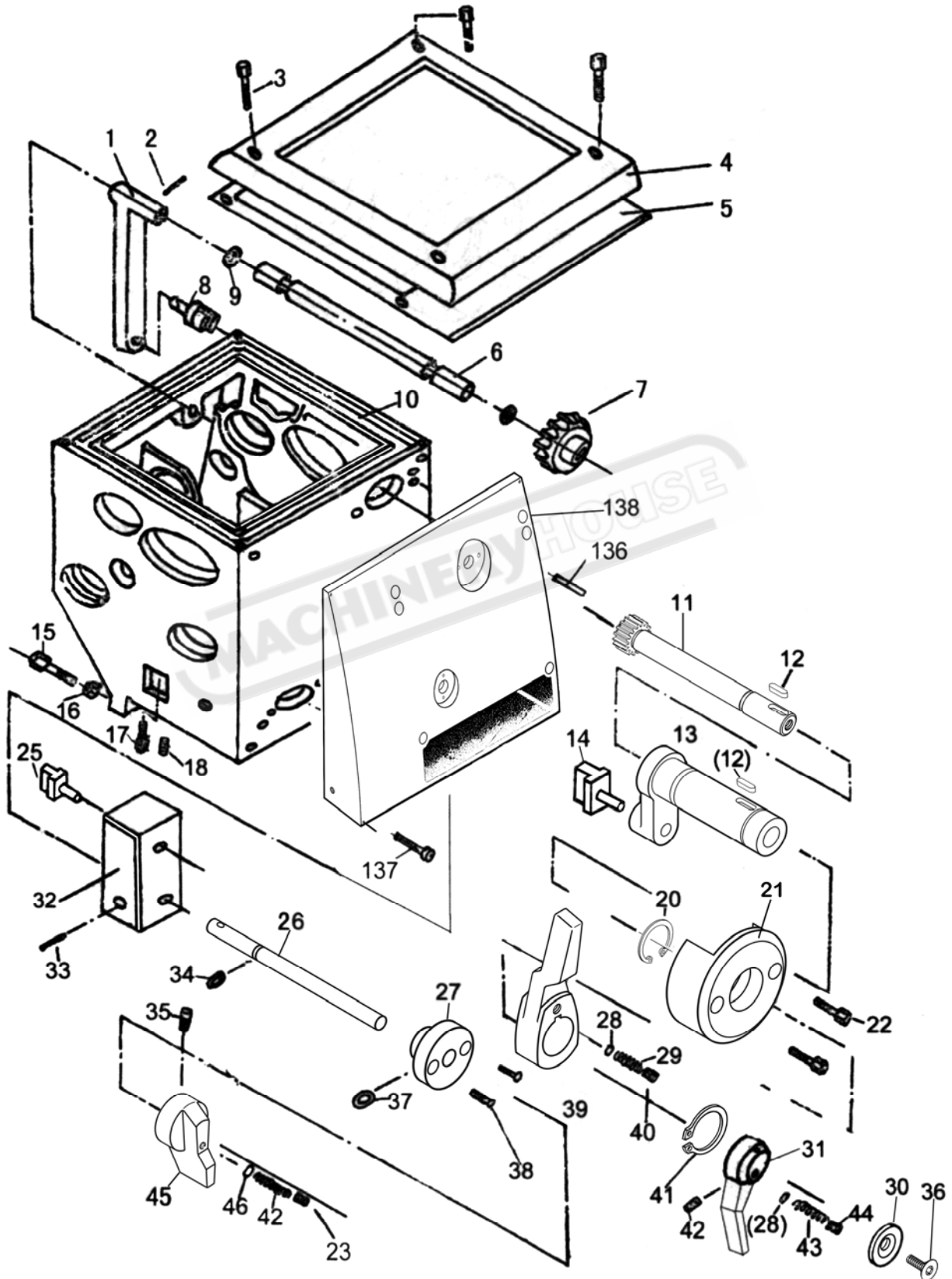
No.	Part No.	Name	Specification
42	33-6040B	Feed Rod (1000)	
42	32C-6040B-2	Feed Rod (750)	
43	33-6049	Position Setting Pin	
44	GB79-85	Socket Head Set Screw	8×16
45	33-6048	Gated Block	
46	33-6050	Spindle Control Lever	
47	GB4141.11-84	Spherical Knob	
48	GB70-85	Socket Head Cap Screw	M6×16
49	33-6045	Bracket	
50	GB2089-80	Compression Spring	1×6×20
51	33-6047	Thrust Piece	
52	GB818-85	Screw	M5×6
53	32-12206a	Cover	
54	32-01224-1	Splash Guard (1000)	
54	32-01224-2	Splash Guard (750)	
55	GB823-85	Screw	M6×10
56	GB818-85	Screw	M6×20
57	GB97.1-86	Washer	6
58	GB91-86	Pin	2×12
59	32-11212	Pin	
60	32C-01240-1	Oil Plate (1000)	
60	32C-01240-2	Oil Plate (750)	
61	32-01230	Rear Connecting Plate	
62	32-11208	Brake Pull Rod (32A)	
62	36-11208	Brake Pull Rod (36A)	
63	32-01229	Left Mounting Feet	
64	32-01228	Right Mounting Feet	
65	32-01234	Round Cover	
66	32-01231	Cover Plate	
67	32-11213	Cap-Shape Screw	
68	32-11204	Draw Spring	
69	32-11206	Pedal Arm	
70	32-11205	Pin	
71	GB879-86	Pin	3×25
72	32-11201	Shaft	
73	GB78-86	Screw	M8×6
74	32-11209	Nut	
75	GB879-86	Pin	5×40
76	32-11203	Pedal Shaft	
77	32-11202-1	Brake (1000)	
77	32-11202-2	Brake (750)	
78	GB823-86	Screw	M6×10
79	GB5781-86	Screw	M12×50
80	GB823-86	Screw	M6×10

Operation Manual

No.	Part No.	Name	Specification
81	32-01232	Screw	
82	32-01245	Left Plate	
83	GB823-86	Screw	M6×10
84	32-01247-1	Front Plate (1000)	
84	32-01247-2	Front Plate (750)	
85	32-01246	Right Plate	
86	32-01213	Key	
87	32-01201	Sleeve	
88	33-6043B	Started Rod (1000)	
88	32C-6043B-2	Started Rod (750)	
89	GB77-85	Screw	M8×10
90	GB879-86	Pin	5×40
91	33-2017a	Sleeve	
92	CL6132-01-38	Spring	
93	GB308-84	Steel Ball	6
94	6220-2085	Shear pin	

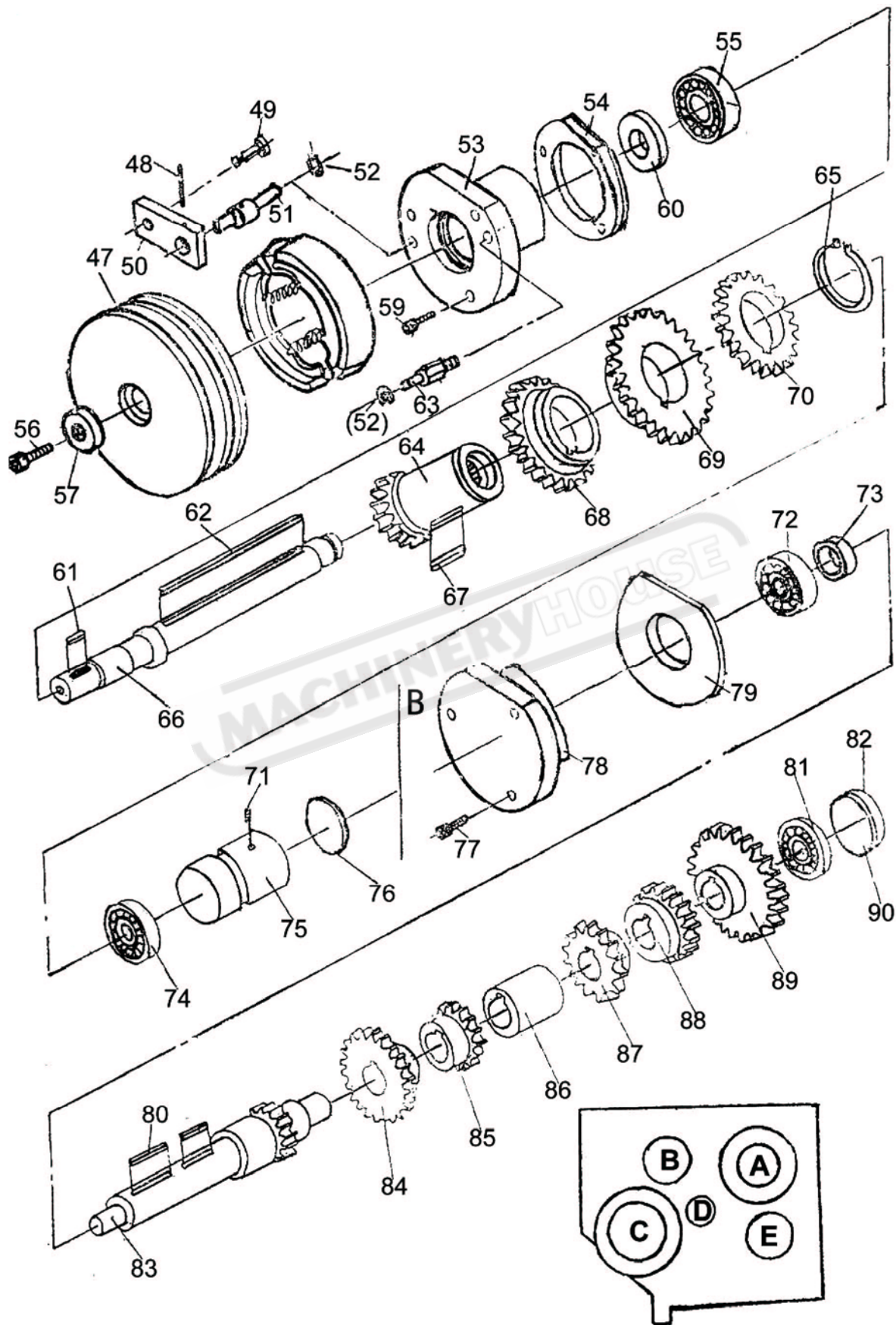
MACHINERYHOUSE

12.Headstock Assembly (1/3)

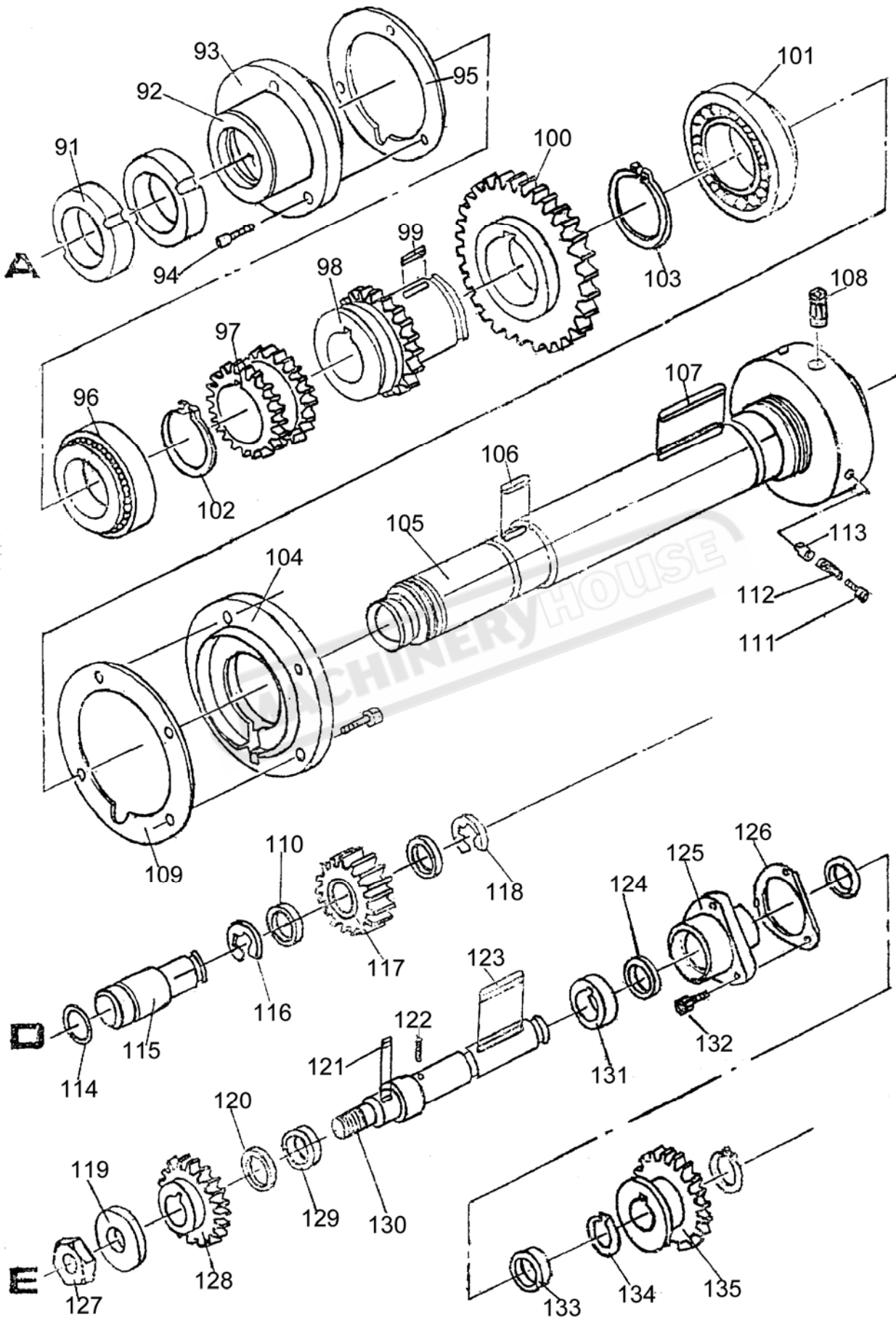


Operation Manual

12.Headstock Assembly (2/3)



12.Headstock Assembly (3/3)



Operation Manual

No.	Part No.	Name	Specification
1	32C-04109	Shift Lever	
2	GB879-86	Pin	5×32
3	GB70-85	Screw	M6×18
4	32C-04112b	Casting Cover	
5	32C-04506	Gasket	
6	32-04232	Shaft	
7	32-04234	Gear	
8	32-04233	Shift Lever	
9	GB1235-76	O-Ring	14×2.4
10	32C-04107	Main Casting (32A)	
10	36C-04107	Main Casting (36A)	
11	32C-04254b	Gear Shaft (32A)	
11	36C-04254b	Gear Shaft (36A)	
12	GB1096-79	Key	5×14
13	32C/36C-04216b	Thrift Collar (32A / 36A)	
14	32-04403	Shift Fork	
15	GB5783-86	Screw	M8×45
16	GB6172-86	Nut	M8
17	GB70-85	Screw	M10×35
18	GB78-85	Screw	M8×12
19	32-04240	Washer	
20	GB1235-76	O-Ring	30×3.1
21	32C-04115b	Cover	
22	GB70-85	Screw	M6×30
23	GB78-85	Screw	M6×16
25	32-04402	Shift Fork	
26	32C-04255b	Shaft	
27	32C-04235b	Collar	
28	GB308-84	Bell Steel	6
29	GB2089-80	Spring	1×6×7
30	32C-04242	Washer	
31	32C-04114	Handle	
32	32-04111	Shift Shaft	
33	GB879-86	Pin	4×18
34	GB1235-76	O-Ring	10×1.9
35	GB78-85	Screw	M6×16
36	32C-04243	Screw	
37	GB1235-76	O-Ring	20×2.4
38	GB70-85	Screw	M4×12
39	32C-04116b	Handle	

Operation Manual

No.	Part No.	Name	Specification
40	GB78-85	Screw	M8×8
41	GB894.1-86	Circlip	30
42	GB2089-80	Spring	0.6×4.4×16
43	GB2089-80	Spring	1×6×20
44	GB78-85	Screw	M8×10
45	32C-04110b	Handle	
46	GB308-84	Bell Steel	5
47	32-04122	Pulley	
48	GB879-86	Pin	5×25
49	32-11212	Pin	
50	32-11210	Rocker	
51	32-11209	Rocker Shaft	
52	GB894.1-86	Circlip	8
53	32-04124	Cover	
54	32-04501-1	Gasket	
55	GB276-98	Thrust	105E
56	GB70-85	Screw	M8×15
57	32-04253	Washer	
59	GB70-85	Screw	M6×16
60	HG4-692-67	Oil Seal	SD25×40×10
61	GB1096-79	Key	8×20
62	GB1096-79	Key	6×120
63	32-11211	Shaft	
65	GB894.1-86	Circlip	35
66	32-04252	Shaft	
64	32-04217	Collar	2×2
67	GB1096-79	Key	5×50
68	32-04218	Gear	2×29
69	32-04219	Gear	2×46
70	32-04220	Gear	2×38
71	GB78-85	Screw	M8×16
72	GB276-88	Thrust	204E
73	32-04211	Washer	
74	GB276-88	Thrust	203
75	32-04106	Front Plug	
76	GB1235-76	O-Ring	40×3.1
77	GB70-85	Screw	M4×12
78	32-04123	Behind Cover	
79	32-04502-1	Gasket	
80	GB1096-79	Key	6×55

Operation Manual

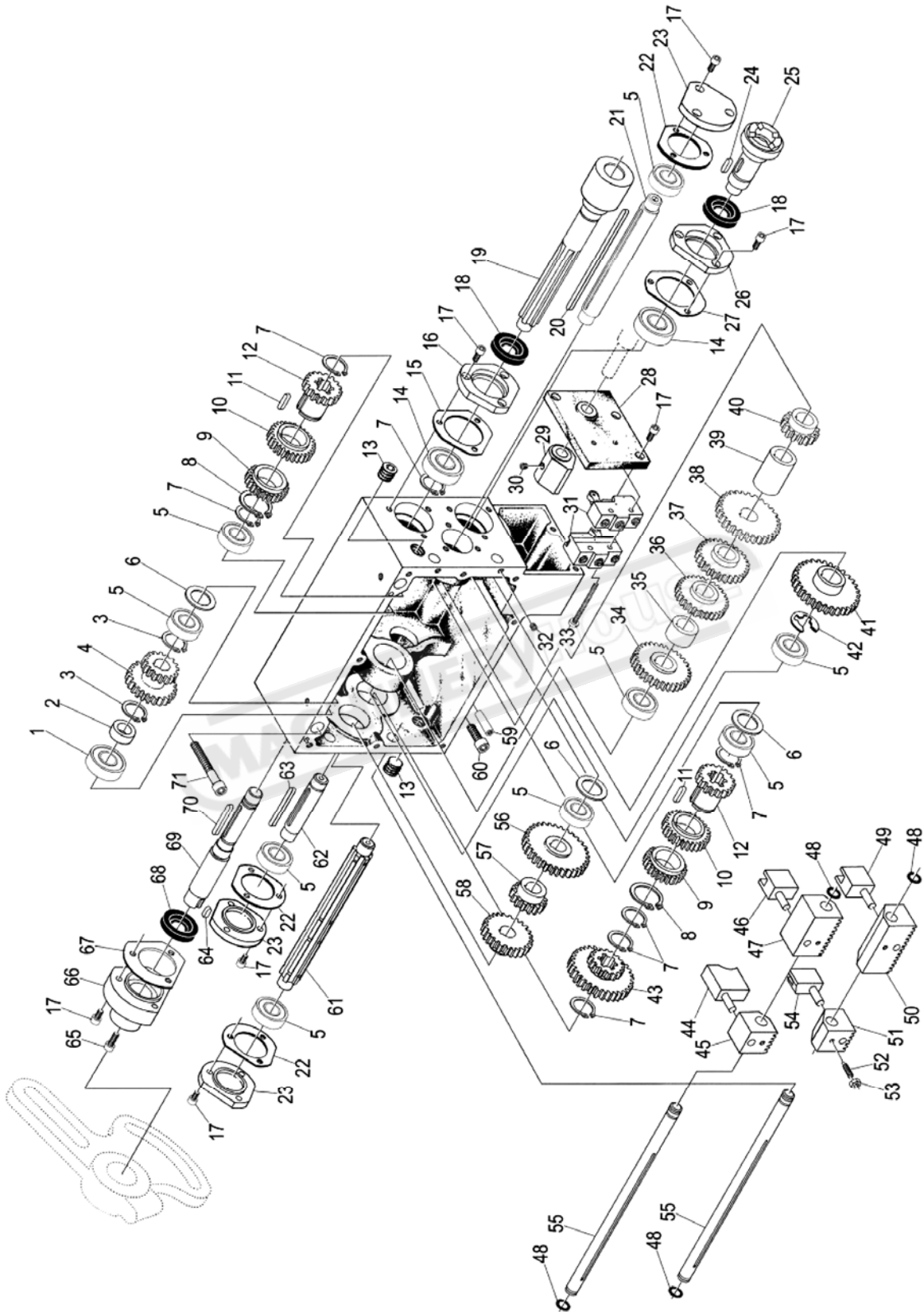
No.	Part No.	Name	Specification
81	GB276-88	Thrust	204D
82	GB1235-76	O-Ring	47×3.1
83	32-04212	Shaft	2.25×16
84	32-04210	Gear	2×51
85	32-04209	Gear	2×43
86	32-04221	Washer	
87	32-04222	Gear	2×26
88	32-04223	Gear	2×34
89	32-04224	Gear	2.25×53
90	32-04225	Front Plug	
91	32-04208	Nut	
92	32-04102	Collar	
93	32-04103	Behind Cover	
94	GB78-85	Screw	M6×25
95	32-04503	Gasket	
96	GB297-89	Thrust	7210E
97	32-04207	Gear	2×37
98	32-04227	Gear	2.25×37
99	GB1096-79	Key	8× 18
100	32-04226	Gear	2.25×74
101	GB297-89	Thrust	7212D
102	GB894.1-86	Circlip	50
103	GB894.1-86	Circlip	72
104	32-04108	Front Cover	
105	32-04228	Spindle	
106	GB1096-79	Key	6×40
107	GB1096-79	Key	8×85
108	32-04231	Cam	
109	32-04505	Gasket	
110	GB276-88	Thrust	7000104E
111	GB70-86	Screw	M8×18
112	32-04229	Spindle	
113	32-04230	Pin	
114	GB1235-76	O-Ring	25×2.4
115	32-04238	Shaft	
116	GB893.1-86	Circlip	42
117	32-04237	Gear	
118	GB893.1-86	Circlip	42
119	32-04206	Washer	
120	32-04204	Washer	

Operation Manual

No.	Part No.	Name	Specification
121	GB1096-79	Key	5×18
122	GB879-86	Pin	3×10
123	GB1096-79	Key	6×50
124	32-04401	Collar	
125	32-04101	Collar	
126	32-04504	Gasket	
127	GB6172-86	Nut	M12
128	32-04205	Gear	
129	32-04507	Oil Seal	
130	32-04239	Shaft	
131	32-04203	Washer	
132	GB70-85	Screw	M5×16
133	32-04202	Washer	
134	GB894.1	Circlip	20
135	32-04201	Gear	
136	GB117-86	Taper Pin	6×35
137	GB70-85	Screw	M6×30
138	32C-04125b	Frame (32A)	
138	36C-04125b	Frame (36A)	

MACHINERYHOUSE

13. Gearbox Control (1/3)



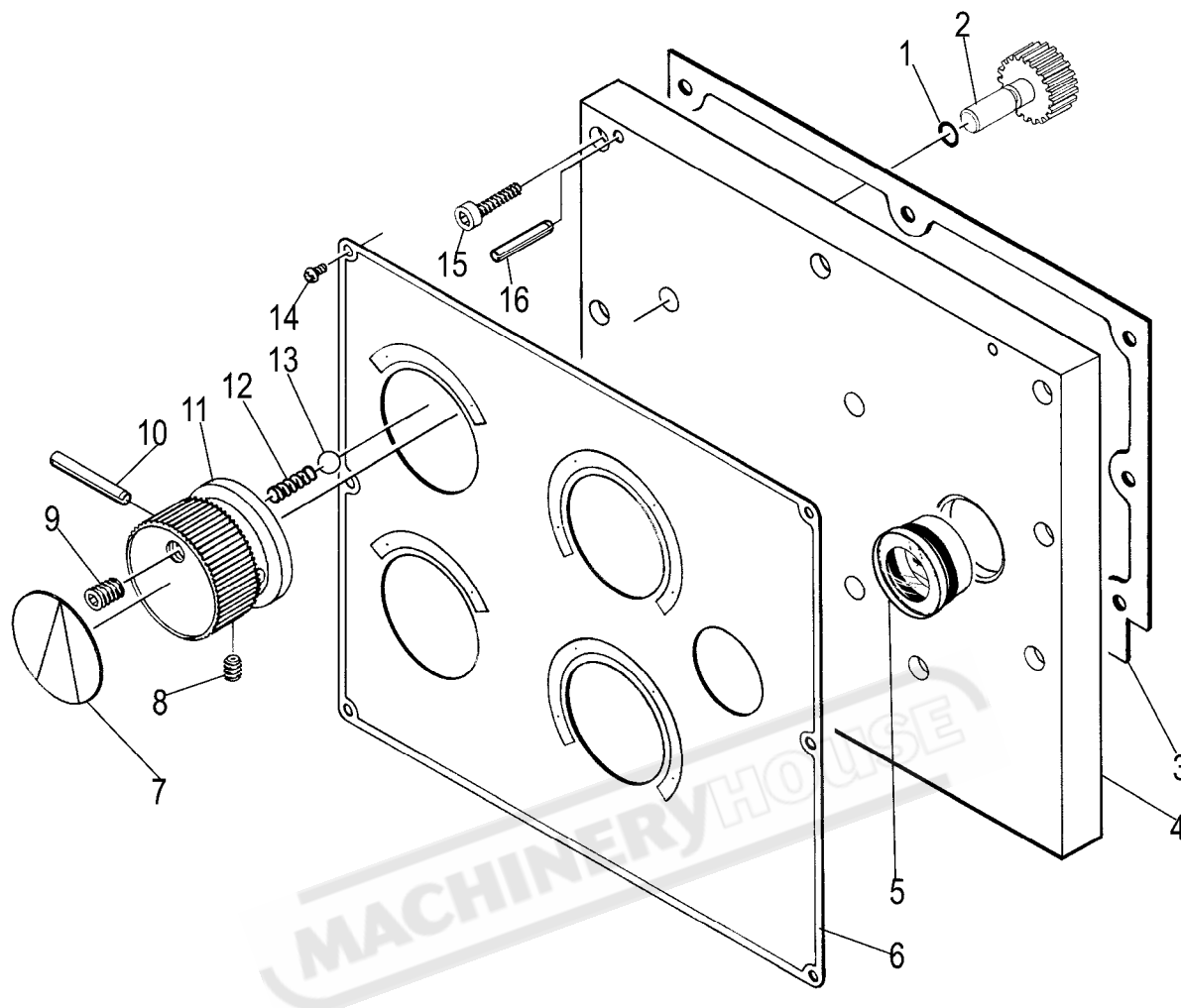
Operation Manual

No.	Part No.	Name	Specification
1	GB/T276-94	Deep Groove Ball Bearing	6203-2RS
2	33-2029	Collar	
3	GB894.2-86	Retaining Ring	16
4	33-2003	Gear	
5	GB894.2-86	Deep Groove Ball Bearing	6202-2RS
6	33-2004	Spacer	
7	GB894.2-86	Retaining Ring	20
8	GB894.2-86	Retaining Ring	28
9	33-2006	Gear	
10	33-2007	Gear	
11	GB1096-79	Double Round Head Key	C4×22
12	33-2008	Gear	
13	Q/ZB285-3	Oil Plug	ZG3/8"
14	GB/T276-86	Deep Groove Ball Bearing	6004-2RS
15	33-2027-1	Spacer	
16	33-2027	Bearing Cover	
17	GB70-85	Socket Head Cap Screw	M5×12
18	HG4-692-67	Oil Seal	25×40×7
19	6220-2005	Shaft	
20	GB1096-79	Double Round Head Key	4×145
21	6220-2013	Shaft	
22	6220-2026-1	Spacer	
23	6220-2026	Bearing Cover	
24	GB1096-79	Double Round Head Key	5×18
25	6220-2023	Shaft	
26	6220-2025	Bearing Cover	
27	6220-2025-1	Spacer	
28	6220-2048	Switch Cover	
29	6233-2055	Engaging Arm	
30	GB80-85	Socket Head Set Screw	M6×8
31	LXW5-11G2	Limit Main Switch	
32	GB79-85	Counter Sunk Flat Screw	M5×6
33	GB67-85	Button Head Screw	M4×45
34	6220-2014	Gear	
35	6220-2015	Spacer	
36	6220-2016	Gear	
37	6220-2017	Gear	
38	CM6220-2018	Gear	

Operation Manual

No.	Part No.	Name	Specification
39	6220-2019	Sleeve	
40	6220-2020	Gear	
41	6220-2024	Gear	
42	GB896-86	Retaining Ring	15
43	6220-2022	Gear	
44	6220-2040B	Shifting Fork	
45	6220-2037B	Rack	
46	6220-2039B	Shifting Fork	
47	6220-2035B	Rack	
48	GB1235-76	O-Ring	12×1.9
49	6220-2039C	Shifting Fork	
50	6220-2036B	Rack	
51	6220-2038B	Rack	
52	GB79-85	Counter Sunk Flat Screw	M4×16
53	GB6170-86	Hexagon Nut	M4
54	6220-2040C	Shifting Fork	
55	6220-2042	Shaft	
56	6220-2012	Gear	
57	6220-2011	Gear	
58	6220-2010	Gear	
59	GB118-86	Taper Pin With Thread	8×26
60	GB70-85	Socket Head Cap Screw	M8×25
61	6220-2021	Shaft	
62	6220-2009	Shaft	
63	GB1096-79	Double Round Head Key	4×55
64	GB1096-79	Single Round Head Key	5×18
65	GB70-85	Socket Head Cap Screw	M6×16
66	6220-2028	Bracket	
67	6220-2028-1	Spacer	
68	GB9877.1-88	Oil Seal	22×35×7
69	6220-2002	Impute Shaft	
70	GB1096-79	Double Round Head Key	5×5×45
71	GB70-85	Socket Head Cap Screw	M8×65

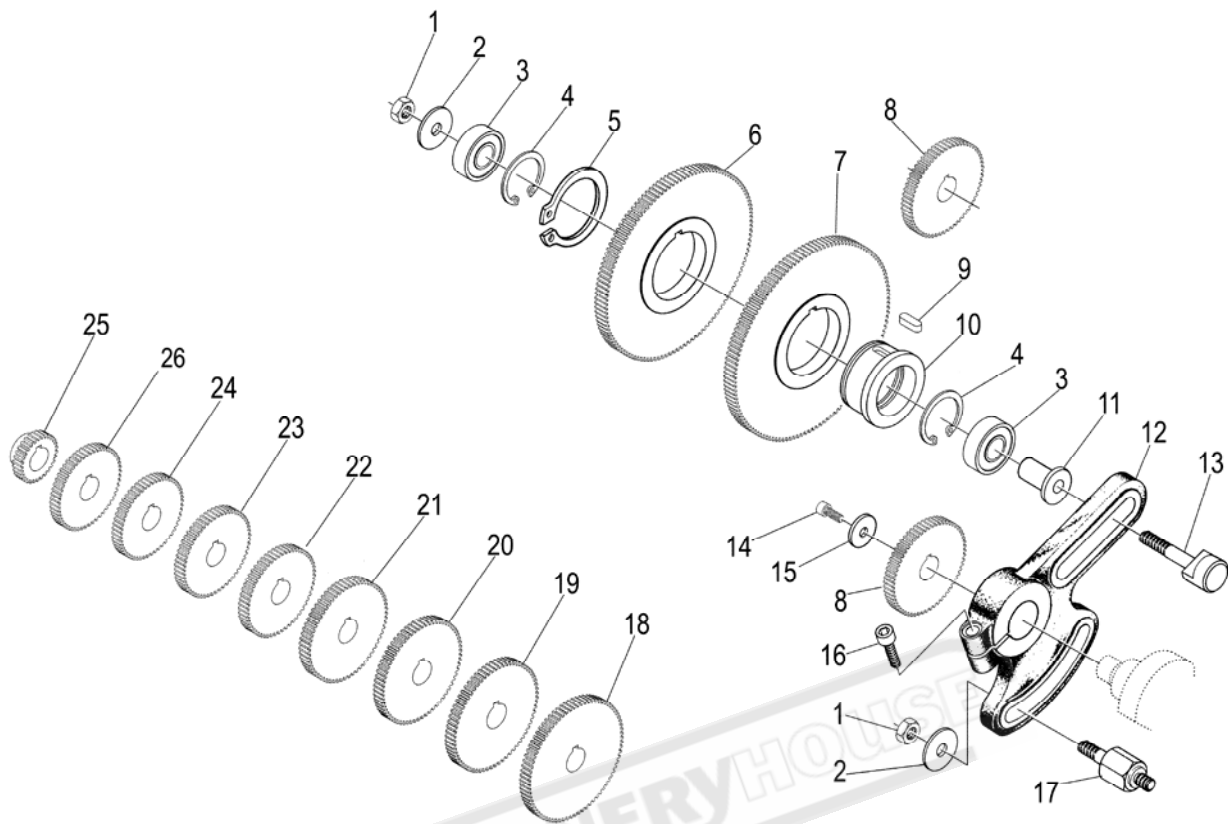
13. Gearbox Control (2/3)



No.	Part No.	Name	Specification
1	GB1235-76	O-Ring	10×1.9
2	6220-2049-01	Pinion Shaft	
3	32C-2030-1	Gasket	
4	32C-2030b	Cover	
5	GB1160.1-89	Oil Sight Glass	A12
6	32C-2030b-2	Plate	
7	RUN6246-101099	Plate	
8	GB80-85	Set Screw	M6×8
9	GB77-85	Set Screw	M8×12
10	GB879-86	Spring Pin	5×40
11	6220-2050	Knob	
12	GB2089-80	Spring	1×5×20
13	GB308-89	Steel Ball	6
14	GB818-85	Cross Recessed Head Screw	M4×8
15	GB70-85	Screw	M5×25
16	GB879-86	Spring Pin	4×30

Operation Manual

13. Gearbox Control (3/3)



No.	Part No.	Name	Specification
1	GB6170-86	Nut	M10
2	32-01222	Sleeve	
3	GB278-89	Bearing	80203
4	GB893.1-87	Retaining Ring	40
5	GB894.1-86	Retaining Ring	55
6	32-05230	Gear	M1.25×120T
7	32-05231	Gear	M1.25×127T
8	CL6232-05-41	Gear	M1.25×60T
9	GB1096-79	Key	6×18
10	33-6027	Bearing Housing	
11	33-6025	Sleeve	
12	32C-05112	Swing Frame	
13	32-05228	Setting Bolt	
14	GB70-85	Socket Hand Cap Screw	M6×15
15	CL6132-05-42	Sleeve	
16	GB70-85	Screw	M8×30
17	33-6029	Clamping Bolt	
18	CL6132A-15-07	Change Gear	M1.25×52T
19	CL6132A-15-05	Change Gear	M1.25×46T

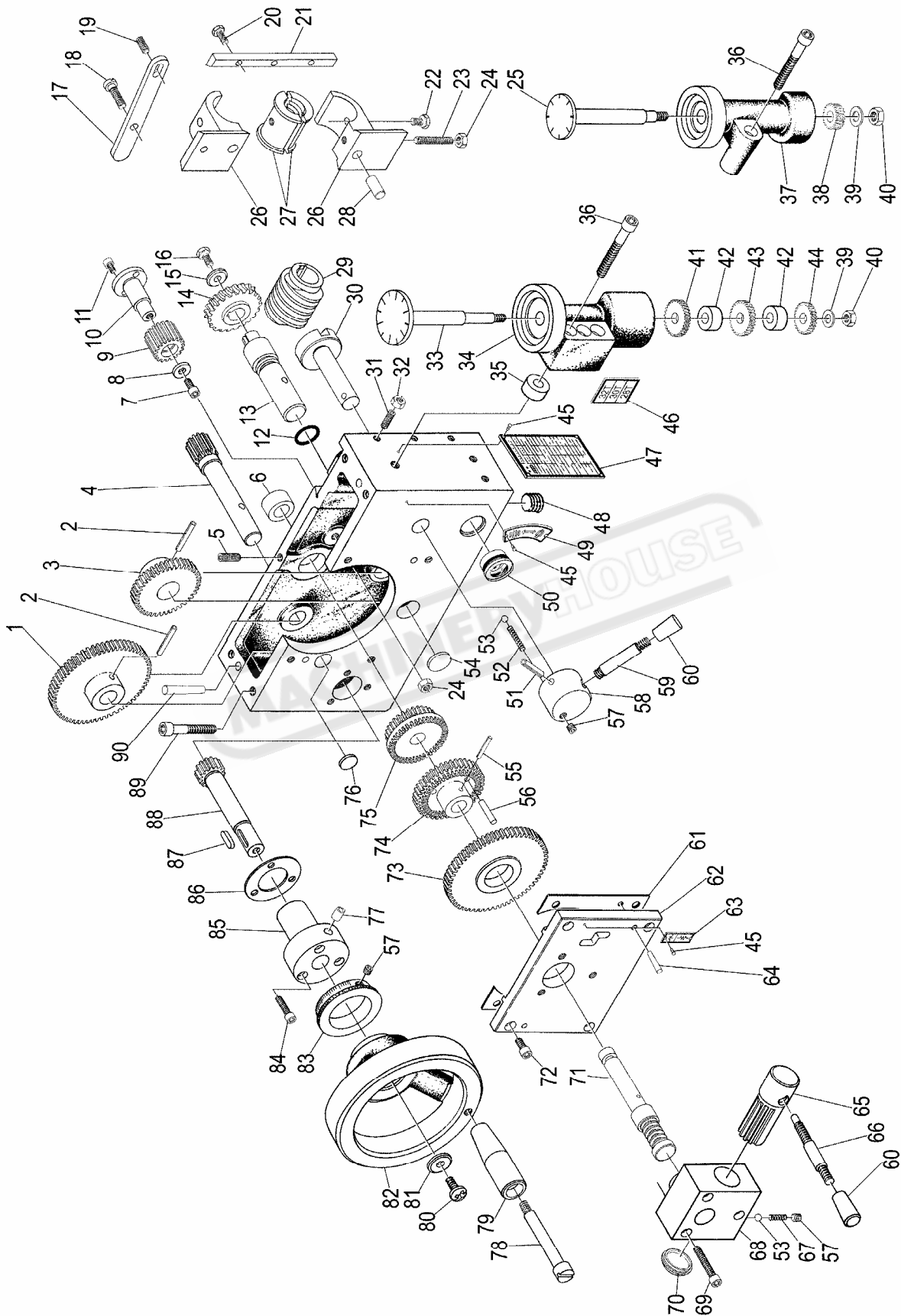
Operation Manual

No.	Part No.	Name	Specification
20	CL6132A-15-04	Change Gear	M1.25×44T
21	6220-2053	Change Gear	M1.25×63T
22	6220-2052	Change Gear	M1.25×57T
23	6220-2051	Change Gear	M1.25×56T
24	6220-2057	Change Gear	M1.25×54T
25	32-05242	Change Gear	M1.25×30T
26	CL6232A-15-03	Change Gear	M1.25×40T

MACHINERYHOUSE

Operation Manual

14. Apron



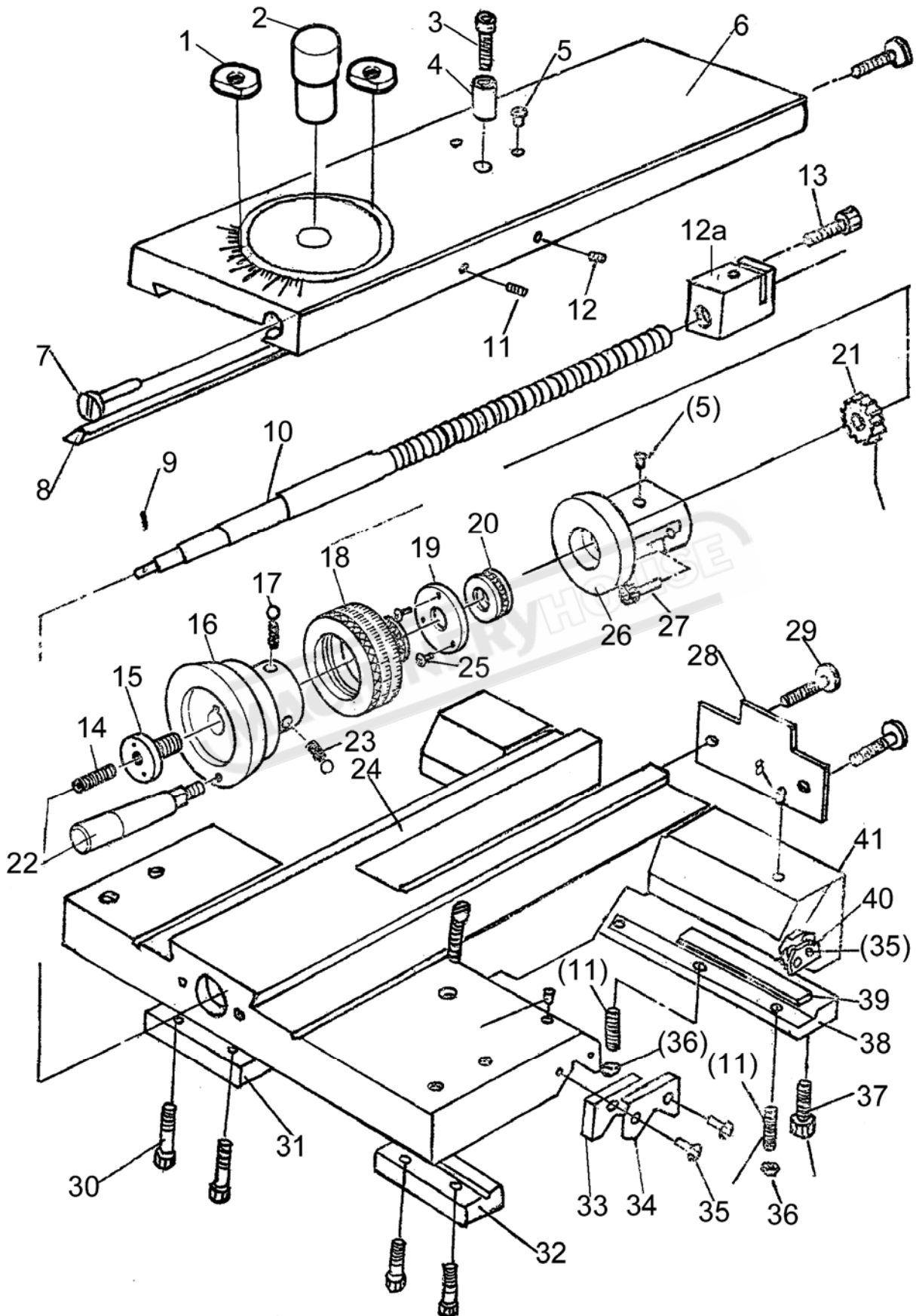
Operation Manual

No.	Part No.	Name	Specification
1	33-4012	Gear	M1.5×60T
2	GB879-86	Spring Pin	5×30
3	33-4030	Gear	M1.5×18T
4	33-4010	Pinion Shaft	M1.5×11T
5	GB79-85	Set Screw	M6×16
6	33-4049	Sleeve	
7	GB70-85	Socket Head Cap Screw	M6×12
8	32-06240	Washer	
9	32-06231	Gear	
10	32-06232	Idle Shaft	
11	GB70-85	Socket Head Cap Screw	M5×12
12	GB1255-76	O-Ring	
13	33-4026	Shaft	
14	32-06429	Worm Gear	
15	33-4028	Washer	
16	GB5783-86	Cap Screw	M6×12
17	33-4038	Interlock Piece	
18	33-4051	Screw	
19	GB77-85	Socket Head Set Screw	M6×12
20	GB5783-86	Hexagon Head Screw	M5×20
21	33-4036	Gib	
22	GB5783-86	Hexagon Head Screw	M6×10
23	GB77-85	Socket Head Set Screw	M6×35
24	GB6170-85	Hexagon Nuts	M6
25	33-4040B	Dial Indicator(For Imperial Use)	
26	33-4035	Half Nut Base	
27	33-4035 1/2	Half Nut	
28	GB119-86	Pin	8×16
29	32-06228	Worm	
30	32-06225	Cam Shaft	
31	GB80-85	Socket Head Set Screw	M5×16
32	GB41-86	Hexagon Nut	M5
33	33-4040A	Dial Indicator (For Metric Use)	
34	33-4039A	Thread Dial Body (For Metric Use)	
35	32-06206	Washer	
36	GB70-85	Socket Head Cap Screw	M8×50
37	33-4039B	Thread Dial Body (For Imperial Use)	
38	33-4045A	Helical Gear(For Imperial Use)	
39	GB95-85	Washer	8
40	GB41-86	Hexagon Nut	M8×50
41	33-4043	Helical Gear (For Metric Use)	
42	32-06237	Spacer	
43	33-4042	Helical Gear (For Metric Use)	
44	33-4041	Helical Gear (For Metric Use)	

Operation Manual

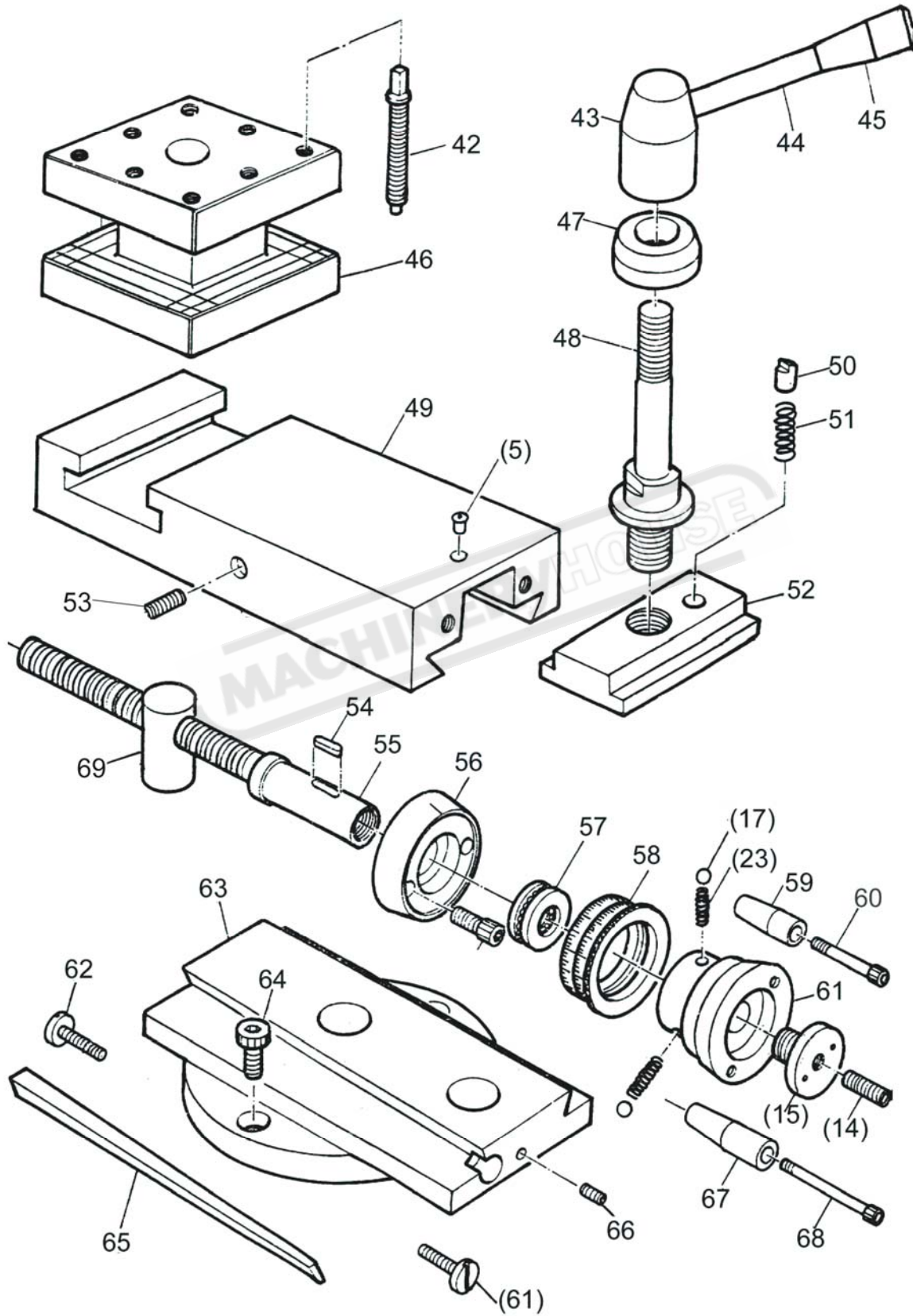
No.	Part No.	Name	Specification
45	GB827-86	Button Head River	2×5
46	33-4048	Helical Gear Chart	
47	33-4046	Indicator Table	
48	Q/ZG285.3	Drain Plug	1/8"
49	33-4050	Half Nut Indicator	
50	GB1160-89	Oil Sight Glass	A20
51	GB879-86	Spring Pin	5×35
52	Gb2089-80	Compression Spring	
53	GB308-77	Steel Ball	
54	33-4027	Plug	
55	GB879-86	Spring Pin	3×25
56	GB119-85	Pin	C5×25
57	GB77-85	Socket Head Set Screw	M6×6
58	33-4033	Lever Handle	
59	33-4034	Lever	
60	GB1342-73	Knob	M8×40
61	33-4002-1	Spacer	
62	33-4002	Front Cover	
63	33-4047	Feed Direction Indicator	
64	GB117-86	Taper Pin	5×20
65	33-4020	Cam Shaft	
66	33-4022	Change Lever	
67	GB2089-80	Compression Spring	
68	33-4019	Bracket	
69	GB70-85	Socket Head Cap Screw	M6×35
70	CL6132-06-02	Plug	
71	33-4013	Shifting Shaft	
72	GB70-85	Socket Head Cap Screw	M6×16
73	33-4016	Clutch Gear	
74	33-4015	Clutch Gear	
75	33-4014	Clutch Gear	
76	33-4011	Plug	
77	GB1155-79	Ball Cap	
78	33-4008	Bolt	
79	33-4009	Handle	
80	GB818-85	Cross Recessed Head Screw	M6×15
81	33-4007	Washer	
82	33-4005	Handle Wheel	
83	33-4006	Dial	
84	GB70-85	Socket Head Cap Screw	M5×25
85	33-4004	Bracket	
86	33-4004-1	Spacer	
87	GB1096-79	Double Round Head Key	5×5×20
88	33-4003	Gear Shaft	
89	GB70-85	Socket Head Cap Screw	M8×30
90	GB117-85	Taper Pin	8×40

15. Cross Slide & Compound (1/2)



Operation Manual

15. Cross Slide Compound(2/2)



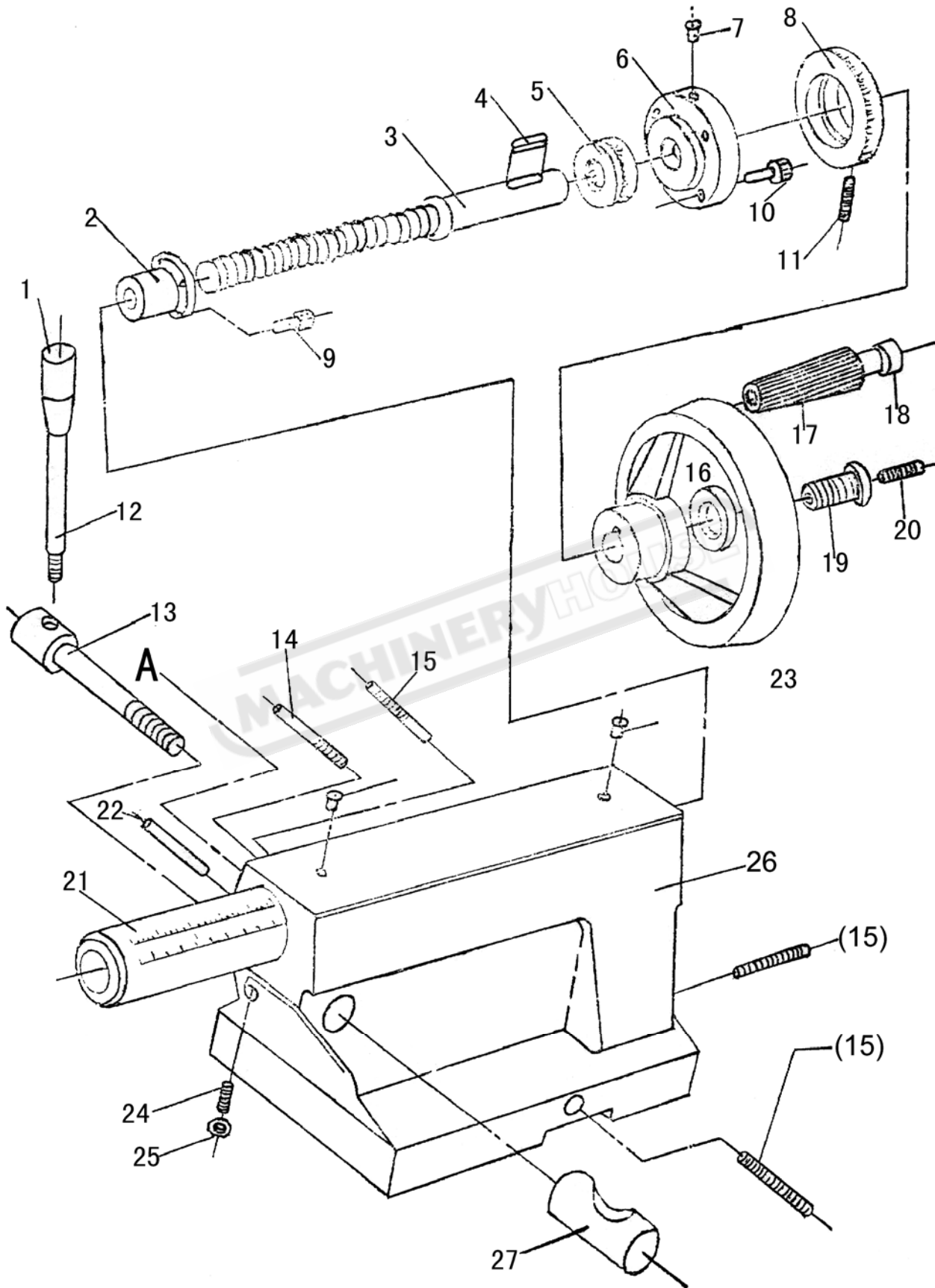
Operation Manual

No.	Part No.	Name	Specification
1	CL6132-07-07	Slide	
2	CL6132-07-08	Slide Axis	
3	GB70-85	Screw	M6×16
4	32-07216	Bushing	
5	GB1155-79	Oil Cup	
6	CT32-07-01	Cross Slide	
7	33-3023	Bolt	
8	33-3022	Gib	
9	GB879-86	Pin	3×16
10	32C-07229	Leadscrew	2mm
10	32C-07229a	Leadscrew	2.54mm
11	GB77-85	Screw	6×26
12	GB77-85	Screw	M8×10
12a	32C-07415	Nut	2mm
12a	32C-07415a	Nut	2.54mm
13	GB70-85	Screw	M6×16
14	GB78-85	Screw	M6×25
15	CL6132-08-12	Screw	
16	CL6132-07-16	Handwheel	
17	GB308-84	Bell Steel	6
18	CT32-07222M	Index Ring	2mm
18	32-07222a	Index Ring	2.54mm
19	CL6132-07-18	Cover	
20	GB301-84	Bearing	8102
21	CM6233-3013	Gear	
22	32-07207b	Lever	
23	GB2089-80	Spring	0.7×5×9
24	32-07101	Saddle Casting	
25	GB818-85	Screw	M5×10
26	32-07120	Keep Rack	
27	GB70-85	Screw	M6×25
28	32-07225	Plate	
29	GB823-76	Screw	M8×12
30	GB5783-86	Screw	M8×20
31	32-07123	Strip	
32	32-07141	Front Strip	
33	32-07528	Wiper	
34	32-07227	Plate	
35	GB823-76	Screw	M4×12
36	GB6170-86	Nut	M6
37	GB5783-86	Screw	M8×25

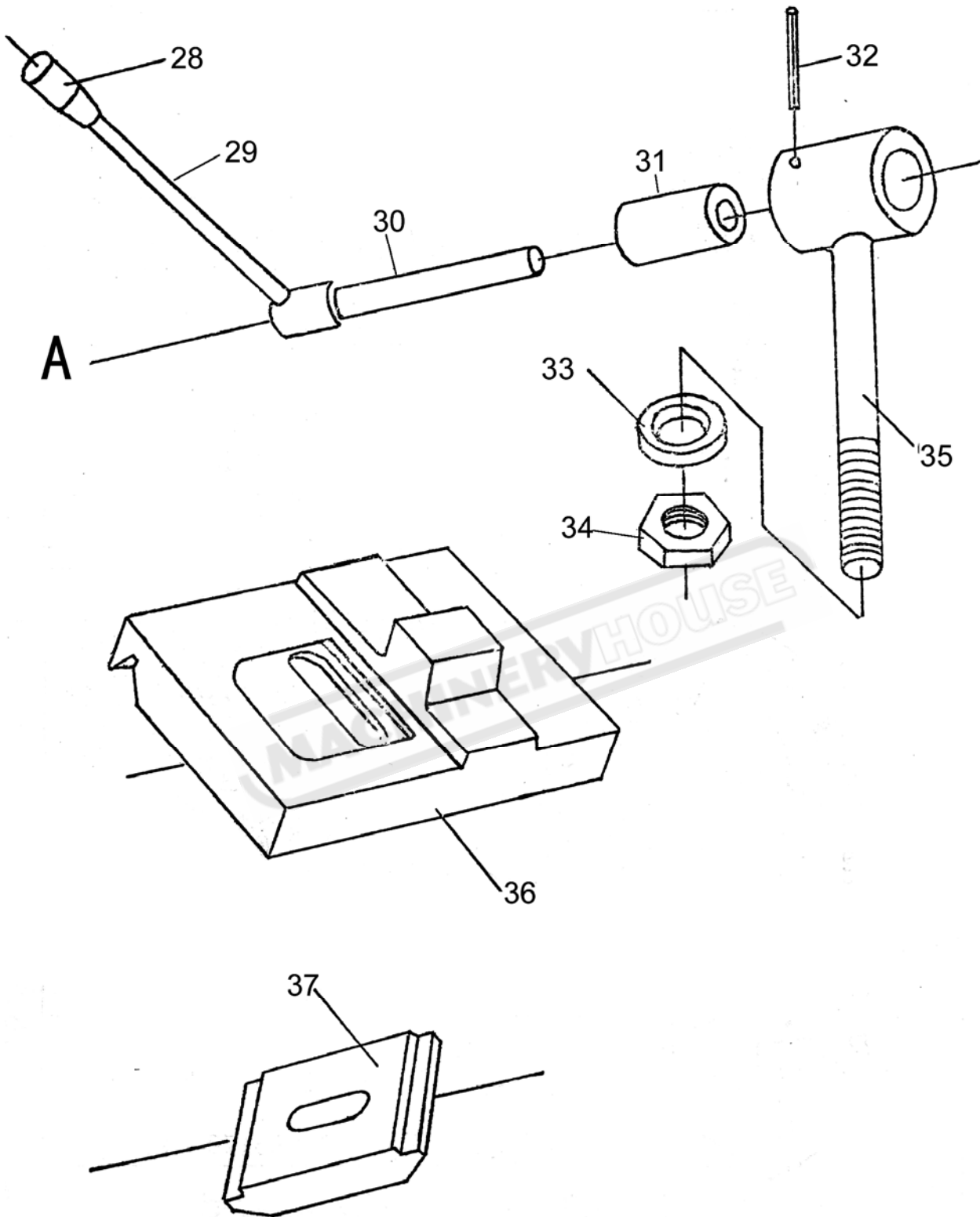
Operation Manual

No.	Part No.	Name	Specification
38	32-07132	Strip	
39	32-07239	Strip	
40	32-07224	Plate	
41	32-07526	Wiper	
42	GB83-86	Screw	M10×50
43	GB4141.16-76	Collar	BM16×32
44	CL6132-07-36	Bolt	
45	GB4141.14-76	Collar	M10×50
46	CL6132-07-32	Tool Post (32A)	
46	CL6232-07-32	Tool Post (36A)	
47	CL6132-07-33	Washer	
48	CL6132-07-34	Shaft	
49	CL6132-07-49	Gib (32A)	
49	CL6232-07-49	Gib (36A)	
50	CL6132-07-29	Wiper	
51	GB2089-80	Spring	1×8×11
52	CL6132-07-37	Plate	
53	GB78-85	Screw	M8×20
54	GB1096-79	Key	4×14
55	CL6132A-07-05b	Leadscrew	4mm
55	CL6132-07-40b	Leadscrew	2.54mm
56	CL6132-07-41	Bracket	
57	GB301-84	Bearing	8103
58	CT32-07-09M	Index Ring	4mm
58	CT32-07-09	Index Ring	2.54mm
59	CL6132-07-43	Collar	
60	GB70-85	Screw	M5×25
61	CL6132-07-48	Handwheel	
62	CL6137-07-28	Screw	
63	CL6132-07-11	Swivel Slide (32A)	
63	CL6232-07-11	Swivel Slide (36A)	
64	GB70-85	Screw	M8×16
65	CL6132-07-10	Gib	
66	GB80-85	Screw	M6×16
67	CL6132-07-44	Collar	
68	GB70-85	Screw	M5×40
69	CL6132A-07-04	Nut	4mm
69	CL6132-07-39	Nut	2.54mm

16. Tailstock Assembly (1/2)



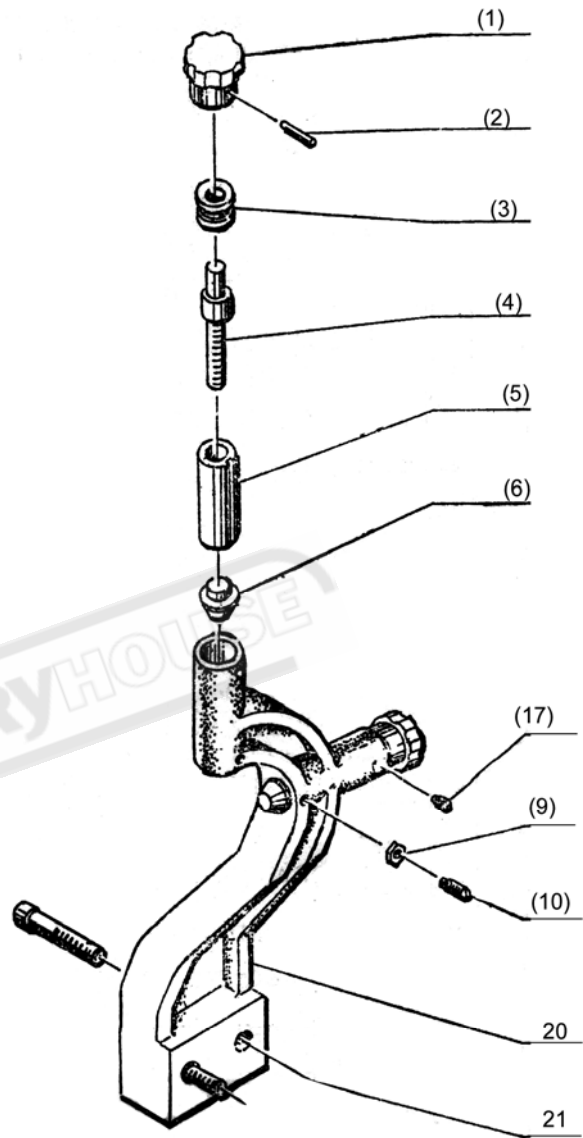
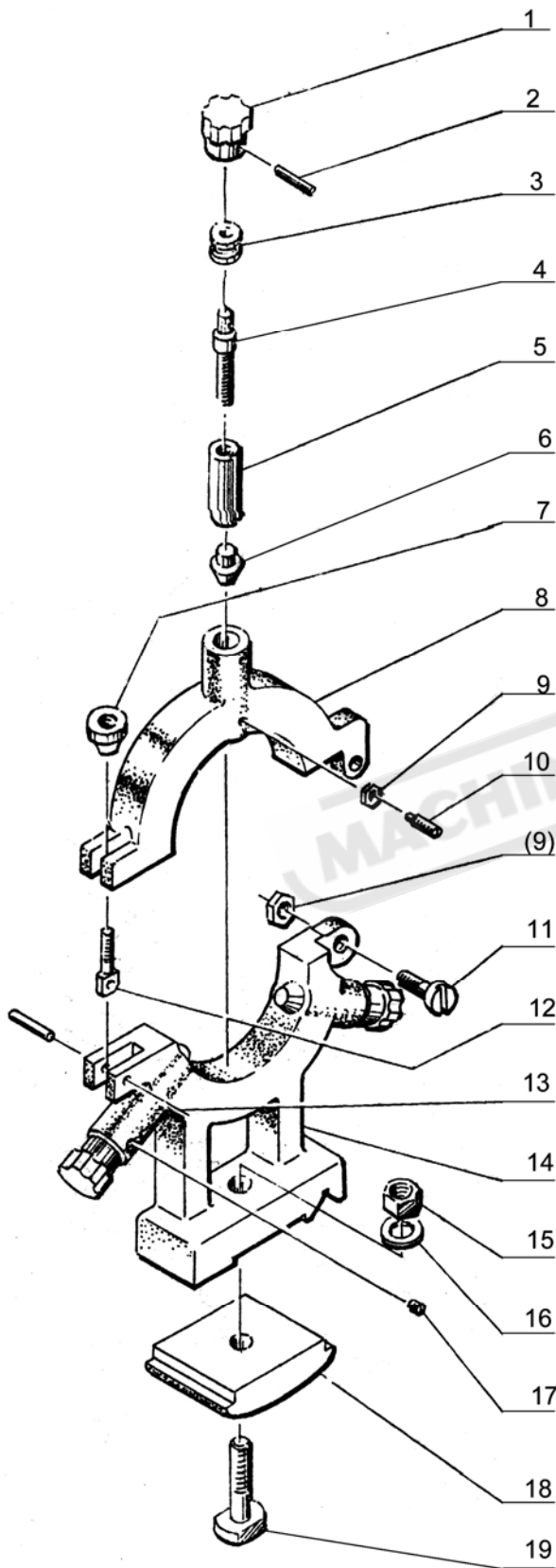
16. Tailstock Assembly (2/2)



Operation Manual

No.	Part No.	Name	Specification
1	JB1342-76	Knob	M8×40
2	32-08401	Nut	
3	32-08203	Screw	
4	GB1096-79	Key	4×15
5	GB301-84	Thrust	8102
6	32-08102	Hanger Cover	
7	GB1155-79	Oil	8
8	32-08402	Index Ring	
9	GB70-85	Screw	M4×10
10	GB70-85	Screw	M6×16
11	GB78-85	Screw	M6×10
12	32-08207	Screw	
13	32-08208	Shaft	
14	32-08209	Screw	
15	GB78-85	Screw	M10×45
16	32-08204	Washer	
17	32-08501	Lever	
18	32-07207b 2/2	Collar	
19	32-07207b 1/2	Screw	
20	GB73-85	Screw	M5×18
21	32-08202	Barrel	
22	32-08209	Screw	
23	32-08103	Handwheel	
24	GB79-85	Screw	M8×35
25	GB6172-86	Nut	M8
26	32-08101	Casting	
27	32-08403	Lock Block	
28	JB1342-76	Knob	M10×50
29	32-08214	Screw	
30	32-08213	Shaft	
31	32-08211	Collar	
32	GB879-86	Pin	5×24
33	GB97.1-86	Washer	B12
34	GB6170-86	Nut	M12
35	32-08212	Screw	
36	32-08105	Base (32A)	
36	36-08105	Base (36A)	
37	32-08104	Clamp Plate	

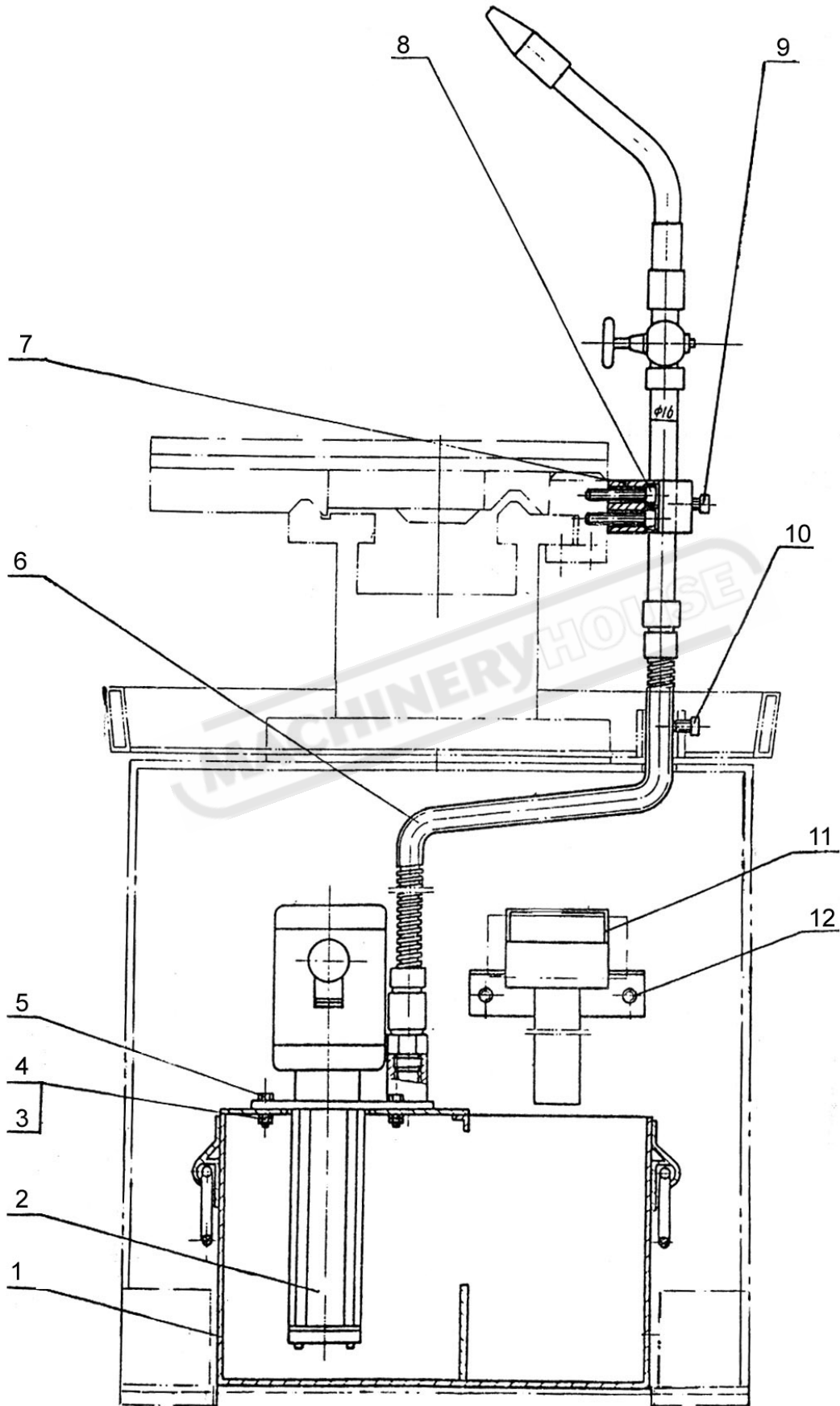
17.Steady & Follow Rest



Operation Manual

No.	Part No.	Name	Specification
1	JB1360-76	Knob	32×8
2	GB119-86	Pin	3×18
3	32-10203	Collar	
4	32-10204	Screw	
5	32-10201	Collar	
6	32-10401	Clapping Head	
7	32-10205	Nut	
8	32-10101	Upside Of Center Rest	
9	GB6170-86	Nut	M6
10	GB79-85	Screw	M6×18
11	GB65-85	Screw	M6×30
12	32-10206	Screw	
13	GB879-86	Pin	5×24
14	32-10102	Downside Of Center Rest	(32A)
14	36-10102	Downside Of Center Rest	(36A)
15	GB6170-86	Nut	M12
16	GB97.1-86	Washer	12
17	GB78-85	Screw	M6×6
18	32-10103	Clamp	
19	GB37-85	Screw	M12×65
20	32-10104	Follow Rest (32A)	
20	36-10104	Follow Rest (36A)	
21	GB70-85	Screw	M8×45

18.Coolant System



Operation Manual

No.	Part No.	Name	Specification
1	32/2-15201	Coolant Ark	
2	AB-12	Coolant Pump	
3	GB6170-86	Nut	M6
4	GB97.1-86	Washer	6
5	GB5783-86	Bolt	M6×15
6	JL15K-400	Coolant Duct	
7	32/2-15101	Casting Cover	
8	GB70-85	Screw	M5×25
9	GB70-85	Screw	M5×16
10	GB70-85	Screw	M5×25
11	32/2-15202	Return pipe	
12	GB67-85	Screw	M6×16

MACHINERYHOUSE